



# ±15kV ESD-Protected, +3.0V to +5.5V, 10nA, RS-232/RS-485/RS-422 Multiprotocol Transceivers

## General Description

The MAX3160E/MAX3161E/MAX3162E are programmable RS-232/RS-485/RS-422 multiprotocol transceivers. The MAX3160E/MAX3161E are pin programmable as a 2Tx/2Rx RS-232 interface or a single RS-485/RS-422 transceiver. The MAX3162E is configured as a 2Tx/2Rx RS-232 interface, and a single RS-485/RS-422 transceiver simultaneously.

The MAX3160E/MAX3161E/MAX3162E feature enhanced electrostatic discharge (ESD) protection. All of the transmitter outputs and receiver inputs are protected to ±15kV using the Human Body Model.

All devices incorporate a proprietary low-dropout transmitter output stage, and an on-board dual charge pump to allow RS-232- and RS-485-/RS-422-compliant performance from a +3V to +5.5V supply. The receivers feature true fail-safe circuitry that guarantees a logic-high receiver output when the receiver inputs are open or shorted. These devices also feature pin-selectable transmitter slew rates for RS-232 and RS-485/RS-422 modes. Slew-rate limiting minimizes EMI and reduces reflections caused by improperly terminated cables, allowing error-free data transmission up to 250kbps. Disabling slew-rate limiting allows these devices to transmit at data rates up to 10Mbps in RS-485/RS-422 mode and up to 1Mbps in RS-232 mode. The MAX3160E/MAX3161E/MAX3162E feature a 10nA shutdown mode, short-circuit limiting, and thermal shutdown circuitry to protect against excessive power dissipation.

The MAX3160E/MAX3162E offer a flow-through pin-out that facilitates board layout. The MAX3160E/MAX3161E/MAX3162E are available in tiny SSOP packages and operate over the commercial and extended temperature ranges.

## Applications

Point-of-Sales Equipment	Peripherals
Industrial Controls	Networking
RS-232 to RS-485	Security Systems
Interface Converters	

Pin Configurations appear at end of data sheet.

Selector Guide appears at end of data sheet.

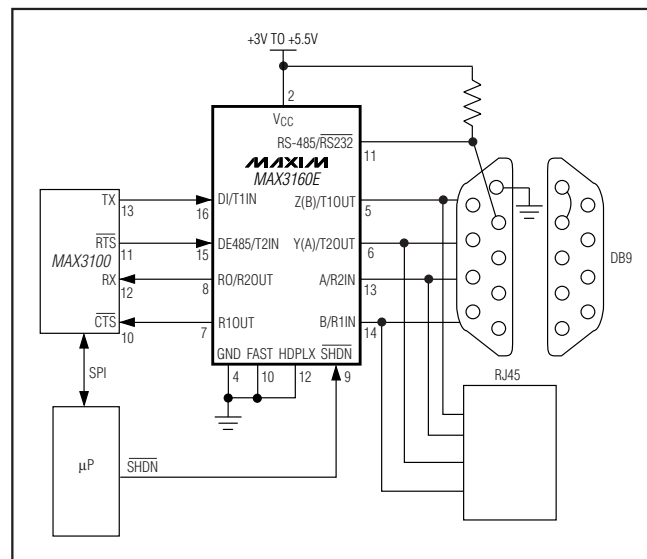
## Features

- ◆ Single Supply Operation from +3V to +5.5V
- ◆ ESD Protection
  - ±15kV Human Body Model
- ◆ Pin-Selectable as 2Tx/2Rx RS-232 or Single RS-485/RS-422 (MAX3160E/MAX3161E)
- ◆ 2Tx/2Rx RS-232 and Single RS-485/RS-422 (MAX3162E)
- ◆ Pin-Selectable RS-232/RS-485 Transmitter Slew Rates Reduce EMI
- ◆ 10Mbps RS-485 and 1Mbps RS-232 Data Rates
- ◆ Pin-Selectable Half-Duplex or Full-Duplex RS-485/RS-422 Operation (MAX3160E/MAX3161E)
- ◆ RS-485/RS-422 True Fail-Safe Receivers
- ◆ 10nA Shutdown Supply Current
- ◆ 1/8-Unit Load Allows up to 256 Transceivers on the Bus

## Ordering Information

PART	TEMP RANGE	PIN-PACKAGE	PACKAGE CODE
MAX3160ECAP	0°C to +70°C	20 SSOP	A20-2
MAX3160EEAP	-40°C to +85°C	20 SSOP	A20-2
MAX3161ECAG	0°C to +70°C	24 SSOP	A24-3
MAX3161EEAG	-40°C to +85°C	24 SSOP	A24-3
MAX3162ECAI	0°C to +70°C	28 SSOP	A28-1
MAX3162EEAI	-40°C to +85°C	28 SSOP	A28-1

## Typical Operating Circuit



# ±15kV ESD-Protected, +3.0V to +5.5V, 10nA, RS-232/RS-485/RS-422 Multiprotocol Transceivers

## ABSOLUTE MAXIMUM RATINGS

V <sub>CC</sub> to GND.....	-0.3V to +6V
V <sub>+</sub> to GND.....	-0.3V to +7V
V <sub>-</sub> to GND.....	-7V to +0.3V
V <sub>+</sub> - V <sub>-</sub> (Note 1).....	+13V
Input Voltages	
T1IN, T2IN, DI, DE485, RE485, TE232, RE232, SHDN, FAST, HDPLX, RS485/RS232 to GND.....	-0.3V to +6V
A, B, R1IN, R2IN to GND.....	±25V
Output Voltages	
T1OUT, T2OUT, Y, Z to GND (V <sub>CC</sub> = 0 or SHDN = GND).....	±13.2V
T1OUT, T2OUT to GND (V <sub>CC</sub> = 5.5V and SHDN = V <sub>CC</sub> ).....	-13.2V to +9V
R2OUT, R1OUT, RO to GND.....	-0.3V to (V <sub>CC</sub> + 0.3V)

Output Short-Circuit Duration	
T1OUT, T2OUT, Y, Z.....	Continuous
Continuous Power Dissipation (T <sub>A</sub> = +70°C)	
20-Pin SSOP (derate 8.0mW/°C above +70°C).....	640mW
24-Pin SSOP (derate 8.0mW/°C above +70°C).....	640mW
28-Pin SSOP (derate 9.1mW/°C above +70°C).....	727mW
Operating Temperature Ranges	
MAX316_CA_.....	0°C to +70°C
MAX316_EA_.....	-40°C to +85°C
Storage Temperature Range.....	-65°C to +150°C
Junction Temperature.....	+150°C
Lead Temperature (soldering, 10s).....	+300°C

**Note 1:** V<sub>+</sub> and V<sub>-</sub> can have maximum magnitudes of 7V, but their absolute difference cannot exceed 13V.

Stresses beyond those listed under "Absolute Maximum Ratings" may cause permanent damage to the device. These are stress ratings only, and functional operation of the device at these or any other conditions beyond those indicated in the operational sections of the specifications is not implied. Exposure to absolute maximum rating conditions for extended periods may affect device reliability.

## ELECTRICAL CHARACTERISTICS

(V<sub>CC</sub> = +3V to +5.5V, C1–C4 = 0.1μF when tested at +3.3V ±10%; C1 = 0.047μF and C2, C3, C4 = 0.33μF when tested at +5V±10%; T<sub>A</sub> = T<sub>MIN</sub> to T<sub>MAX</sub>, unless otherwise noted. Typical values are at V<sub>CC</sub> = +3.3V and T<sub>A</sub> = +25°C.) (Note 2)

PARAMETER	SYMBOL	CONDITIONS	MIN	TYP	MAX	UNITS
<b>DC CHARACTERISTICS</b>						
V <sub>CC</sub> Standby Current	I <sub>CC</sub>	MAX3160E/MAX3161E, no load, RS-485/RS-232 = GND		1.2	2.8	mA
		MAX3160E/MAX3161E, no load, RS-485/RS-232 = V <sub>CC</sub>		2.5	5.5	
		MAX3162E, no load		3	6	
V <sub>CC</sub> Shutdown Current	I <sub>SHDN</sub>	SHDN = GND, receiver inputs open or grounded		0.01	1	μA
<b>TRANSMITTER AND LOGIC INPUTS (DI, T1IN, T2IN, DE485, RE485, TE232, RE232, FAST, HDPLX, SHDN, RS-485/ RS-232)</b>						
Logic-Input Low	V <sub>IL</sub>				0.8	V
Logic-Input High	V <sub>IH</sub>	V <sub>CC</sub> = +3.3V		2.0		V
		V <sub>CC</sub> = +5V		2.4		
Logic-Input Leakage Current	I <sub>IINL</sub>			±0.01	±1	μA
Transmitter Logic Hysteresis	V <sub>HYS</sub>			0.5		V
<b>RS-232 AND RS-485/RS-422 RECEIVER OUTPUTS (R1OUT, R2OUT, RO)</b>						
Receiver Output-Voltage Low	V <sub>OL</sub>	I <sub>OUT</sub> = 2.5mA			0.4	V
Receiver Output-Voltage High	V <sub>OH</sub>	I <sub>OUT</sub> = -1.5mA	V <sub>CC</sub> - 0.6			V
Receiver Output Short-Circuit Current	I <sub>OSR</sub>	0 ≤ V <sub>O</sub> ≤ V <sub>CC</sub>		±20	±85	mA
Receiver Output Leakage Current	I <sub>OZR</sub>	Receivers disabled		±0.05	±1	μA

# **±15kV ESD-Protected, +3.0V to +5.5V, 10nA, RS-232/RS-485/RS-422 Multiprotocol Transceivers**

**MAX3160E/MAX3161E/MAX3162E**

## **ELECTRICAL CHARACTERISTICS (continued)**

(V<sub>CC</sub> = +3V to +5.5V, C1–C4 = 0.1μF when tested at +3.3V ±10%; C1 = 0.047μF and C2, C3, C4 = 0.33μF when tested at +5V±10%; T<sub>A</sub> = T<sub>MIN</sub> to T<sub>MAX</sub>, unless otherwise noted. Typical values are at V<sub>CC</sub> = +3.3V and T<sub>A</sub> = +25°C.) (Note 2)

PARAMETER	SYMBOL	CONDITIONS	MIN	TYP	MAX	UNITS
<b>RS-232 RECEIVER INPUTS (R1IN, R2IN)</b>						
Input Voltage Range			-25		+25	V
Logic-Input Low					0.8	
Logic-input High		V <sub>CC</sub> = +3.3V	2.0			V
		V <sub>CC</sub> = +5V	2.4			
Input Hysteresis				0.5		V
Input Resistance		V <sub>CC</sub> = +3.0V to 5.5V	3	5	7	kΩ
		V <sub>CC</sub> = 0	6	11	16	
<b>RS-485/RS-422 RECEIVER INPUTS (Note 3)</b>						
Input Resistance	R <sub>IN</sub>	-7V < V <sub>CM</sub> < +12V	MAX3160E	48		kΩ
			MAX3161E/ MAX3162E	96		
Input Current	I <sub>IN</sub>	MAX3160E	V <sub>CM</sub> = +12V		0.25	mA
			V <sub>CM</sub> = -7V		-0.15	
		MAX3161E/MAX3162E	V <sub>CM</sub> = +12V		0.125	
			V <sub>CM</sub> = -7V		-0.075	
Input Differential Threshold	V <sub>TH</sub>	-7V ≤ V <sub>CM</sub> ≤ +12V	-200		-50	mV
Input Hysteresis	ΔV <sub>TH</sub>			30		mV
<b>RS-232 TRANSMITTER OUTPUTS (T1OUT, T2OUT)</b>						
Output Voltage Swing		Both transmitter outputs loaded with 3kΩ to GND	±5	±5.4		V
Output Resistance		V <sub>CC</sub> = V+ = V- = 0, T_OUT = ±2V	300	10M		Ω
Output Short-Circuit Current	I <sub>SC</sub>	T_OUT = GND		±30	±60	mA
Output Leakage Current	I <sub>O</sub>	V <sub>OUT</sub> = ±9V TE232 = GND or $\overline{\text{SHDN}}$ = GND	MAX3160E		±125	μA
			MAX3161E		±25	
			MAX3162E		±25	
<b>RS-485/RS-422 TRANSMITTER OUTPUTS (Y, Z)</b>						
Differential Output Voltage	V <sub>OD</sub>	Figure 1	R = 27Ω (RS-485)	1.5		V
			R = 50Ω (RS-422)	2		
Change in Magnitude of Differential Output Voltage for Complementary Output States	ΔV <sub>OD</sub>	R = 27Ω or 50Ω, Figure 1			0.2	V
Common-Mode Output Voltage	V <sub>OC</sub>	R = 27Ω or 50Ω, Figure 1			3	V
Change in Magnitude of Common-Mode Output Voltage for Complementary Output States	ΔV <sub>OC</sub>	R = 27Ω or 50Ω, Figure 1			0.2	V

# **±15kV ESD-Protected, +3.0V to +5.5V, 10nA, RS-232/RS-485/RS-422 Multiprotocol Transceivers**

## **ELECTRICAL CHARACTERISTICS (continued)**

( $V_{CC} = +3V$  to  $+5.5V$ ,  $C1-C4 = 0.1\mu F$  when tested at  $+3.3V \pm 10\%$ ;  $C1 = 0.047\mu F$  and  $C2, C3, C4 = 0.33\mu F$  when tested at  $+5V \pm 10\%$ ;  $T_A = T_{MIN}$  to  $T_{MAX}$ , unless otherwise noted. Typical values are at  $V_{CC} = +3.3V$  and  $T_A = +25^\circ C$ .) (Note 2)

PARAMETER	SYMBOL	CONDITIONS	MIN	TYP	MAX	UNITS
Output Short-Circuit Current	$I_{SC}$	$V_Y$ or $V_Z = -7V$ to $+12V$			±250	mA
Output Leakage Current	$I_O$	$V_Y$ or $V_Z = -7V$ or $+12V$ , DE485 = GND or $\overline{SHDN} =$ GND	MAX3160E		±125	$\mu A$
			MAX3161E		±25	
			MAX3162E		±25	
<b>RS-232 TRANSMITTER TIMING CHARACTERISTICS (SLOW MODE, FAST = GND, 250kbps, one transmitter switching)</b>						
Maximum Data Rate		$R_L = 3k\Omega$ , $C_L = 1000pF$	250			kbps
Transmitter Skew	$t_{TSKEW}$	$R_L = 3k\Omega$ , $C_L = 150pF$ , Figure 6		25		ns
Transition-Region Slew Rate		$V_{CC} = +3.3V$ , $T_A = +25^\circ C$ , $R_L = 3k\Omega$ to $7k\Omega$ , measured from $+3.0V$ to $-3.0V$ or $-3.0V$ to $+3.0V$	$C_L = 150pF$ to $1000pF$	6	30	$V/\mu s$
			$C_L = 150pF$ to $2500pF$	4	30	
<b>RS-232 TRANSMITTER TIMING CHARACTERISTICS (FAST MODE, FAST = <math>V_{CC}</math>, 1Mbps, one transmitter switching)</b>						
Maximum Data Rate		$V_{CC} = +3V$ to $+4.5V$ , $R_L = 3k\Omega$ , $C_L = 250pF$	1			Mbps
		$V_{CC} = +4.5V$ to $+5.5V$ , $R_L = 3k\Omega$ , $C_L = 1000pF$	1			
Transmitter Skew	$t_{TSKEW}$	$R_L = 3k\Omega$ , $C_L = 150pF$ , Figure 6		10		ns
Transition-Region Slew Rate		$V_{CC} = +3.3V$ , $T_A = +25^\circ C$ , $R_L = 3k\Omega$ to $7k\Omega$ , $C_L = 150pF$ to $1000pF$ , measured from $+3.0V$ to $-3.0V$ or $-3.0V$ to $+3.0V$	MAX3160E	13	150	$V/\mu s$
			MAX3161E	24	150	
			MAX3162E			
<b>RS-232 RECEIVER TIMING CHARACTERISTICS</b>						
Receiver Propagation Delay	$t_{PHL}, t_{PLH}$	$R_{IN}$ to $R_{OUT}$ , $C_L = 15pF$ , Figure 5		0.15		$\mu s$
Receiver Output Enable Time	$t_{RZL}, t_{RZH}$	$C_L = 50pF$ , Figures 2, 10, MAX3162E		200		ns
Receiver Output Disable Time	$t_{RLZ}, t_{RHZ}$	$C_L = 15pF$ , Figures 2, 10, MAX3162E		200		ns
Receiver Skew	$t_{RSKEW}$	$C_L = 50pF$ , Figure 5		100		ns
<b>RS-485/RS-422 DRIVER TIMING CHARACTERISTICS (SLOW MODE, FAST = GND, 250kbps)</b>						
Differential Driver Propagation Delay	$t_{DPHL}, t_{DPLH}$	$R_{DIFF} = 54\Omega$ , $C_L = 50pF$ , Figures 3, 7	200	400	800	ns
Differential Driver Rise and Fall Time	$t_{DR}, t_{DF}$	$R_{DIFF} = 54\Omega$ , $C_L = 50pF$ , Figures 3, 7	200	400	800	ns
Differential Driver Propagation Delay Skew	$t_{DSKEW}$	$R_{DIFF} = 54\Omega$ , $C_L = 50pF$ , Figures 3, 7			200	ns
Driver Output Enable Time	$t_{DZH}, t_{DZL}$	$C_L = 50pF$ , Figures 4, 8		400	900	ns
Driver Output Disable Time	$t_{DLZ}, t_{DHZ}$	$C_L = 50pF$ , Figures 4, 8		200	400	ns

# ±15kV ESD-Protected, +3.0V to +5.5V, 10nA, RS-232/RS-485/RS-422 Multiprotocol Transceivers

## ELECTRICAL CHARACTERISTICS (continued)

(V<sub>CC</sub> = +3V to +5.5V, C<sub>1</sub>–C<sub>4</sub> = 0.1μF when tested at +3.3V ±10%; C<sub>1</sub> = 0.047μF and C<sub>2</sub>, C<sub>3</sub>, C<sub>4</sub> = 0.33μF when tested at +5V ±10%; T<sub>A</sub> = T<sub>MIN</sub> to T<sub>MAX</sub>, unless otherwise noted. Typical values are at V<sub>CC</sub> = +3.3V and T<sub>A</sub> = +25°C.) (Note 2)

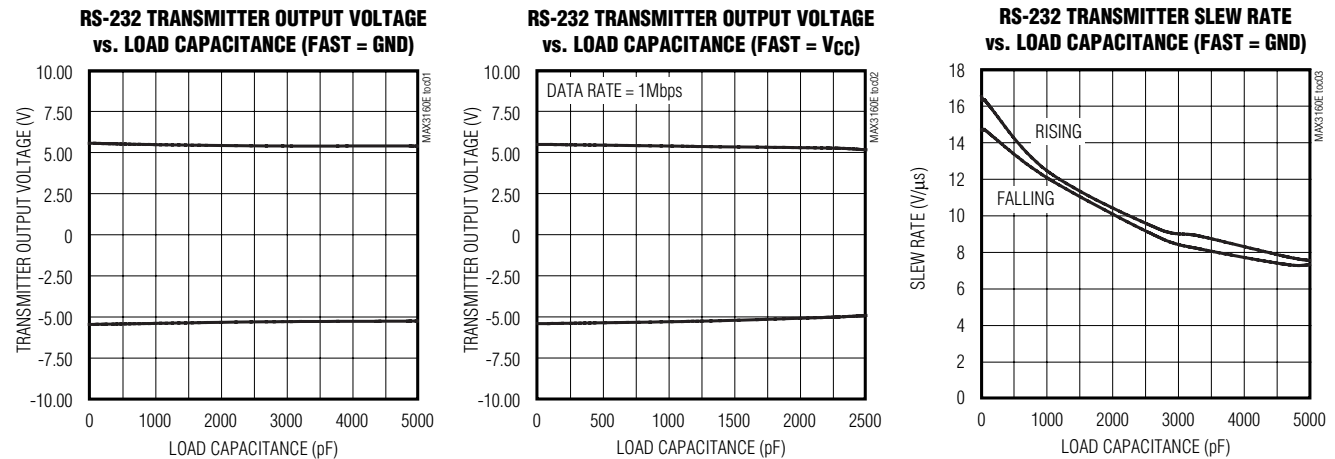
PARAMETER	SYMBOL	CONDITIONS	MIN	TYP	MAX	UNITS
<b>RS-485/RS-422 DRIVER TIMING CHARACTERISTICS FAST MODE, FAST = V<sub>CC</sub>, 10Mbps</b>						
Differential Driver Propagation Delay	t <sub>DPHL</sub> , t <sub>DPLH</sub>	R <sub>DIFF</sub> = 54Ω, C <sub>L</sub> = 50pF, Figures 3, 7		60	120	ns
Differential Driver Rise and Fall Times	t <sub>DR</sub> , t <sub>DF</sub>	R <sub>DIFF</sub> = 54Ω, C <sub>L</sub> = 50pF, Figures 3, 7		10	25	ns
Differential Driver Propagation Delay Skew	t <sub>DSKEW</sub>	R <sub>DIFF</sub> = 54Ω, C <sub>L</sub> = 50pF, Figures 3, 7			10	ns
Driver Output Enable Time	t <sub>DZH</sub> , t <sub>DZL</sub>	C <sub>L</sub> = 50pF, Figures 4, 8		400	900	ns
Driver Output Disable Time	t <sub>DHZ</sub> , t <sub>DLZ</sub>	C <sub>L</sub> = 50pF, Figures 4, 8		200	400	ns
<b>RS-485/RS-422 RECEIVER TIMING CHARACTERISTICS</b>						
Receiver Propagation Delay	t <sub>RPLH</sub> , t <sub>RPLH</sub>	C <sub>L</sub> = 15pF, Figures 9, 11		80	150	ns
Receiver Propagation Delay Skew	t <sub>RSKEW</sub>	C <sub>L</sub> = 15pF, Figures 9, 11		1	10	ns
Receiver Output Enable Time	t <sub>RZL</sub> , t <sub>RZH</sub>	MAX3162E, C <sub>L</sub> = 50pF, Figures 2, 10		100		ns
Receiver Output Disable Time	t <sub>RLZ</sub> , t <sub>RHZ</sub>	MAX3162E, C <sub>L</sub> = 15pF, Figures 2, 10		100		ns
<b>ESD PROTECTION</b>						
R <sub>IN</sub> , T <sub>OUT</sub> , A, B, Y, Z		Human Body Model		±15		kV

**Note 2:** All currents into the device are positive. All currents out of the device are negative.

**Note 3:** Applies to A, B for MAX3162E and MAX3160E/MAX3161E with HDPLX = GND, or Y, Z for MAX3160E/MAX3161E with HDPLX = V<sub>CC</sub>.

## Typical Operating Characteristics

(V<sub>CC</sub> = +3.3V, 250kbps data rate, C<sub>BYPASS</sub>, C<sub>1</sub>, C<sub>2</sub>, C<sub>3</sub>, C<sub>4</sub> = 0.1μF, all RS-232 transmitters (RS-232 mode) loaded with 3kΩ to ground, T<sub>A</sub> = +25°C, unless otherwise noted.)

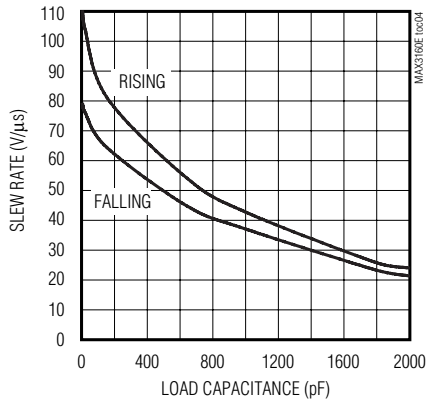


# **$\pm 15\text{kV}$ ESD-Protected, +3.0V to +5.5V, 10nA, RS-232/RS-485/RS-422 Multiprotocol Transceivers**

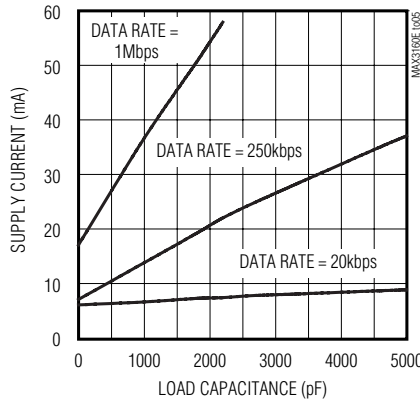
## **Typical Operating Characteristics (continued)**

( $V_{CC} = +3.3\text{V}$ , 250kbps data rate,  $C_{BYPASS}, C1, C2, C3, C4 = 0.1\mu\text{F}$ , all RS-232 transmitters (RS-232 mode) loaded with  $3\text{k}\Omega$  to ground,  $T_A = +25^\circ\text{C}$ , unless otherwise noted.)

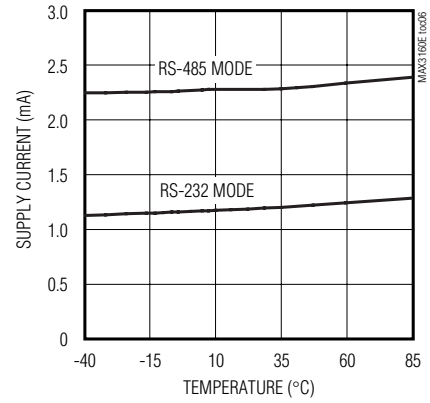
**RS-232 TRANSMITTER SLEW RATE vs. LOAD CAPACITANCE (FAST =  $V_{CC}$ )**



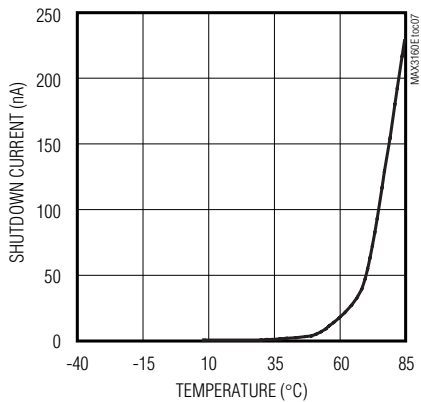
**OPERATING SUPPLY CURRENT vs. LOAD CAPACITANCE WHEN TRANSMITTING DATA (RS-232 MODE)**



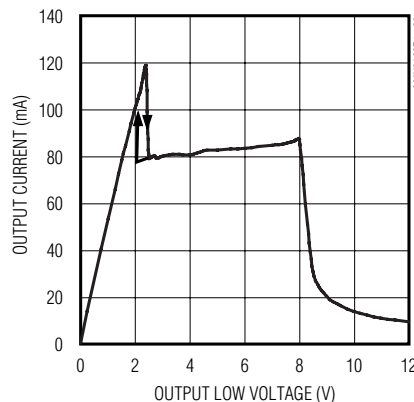
**MAX3160E/MAX3161E NO-LOAD SUPPLY CURRENT vs. TEMPERATURE**



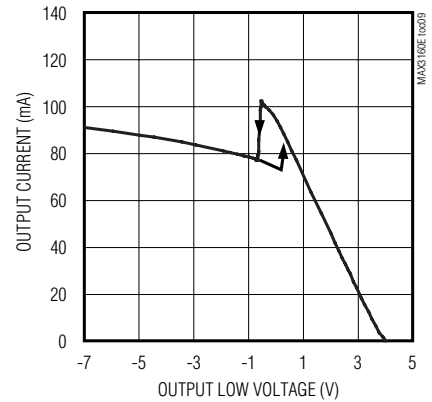
**SHUTDOWN CURRENT vs. TEMPERATURE**



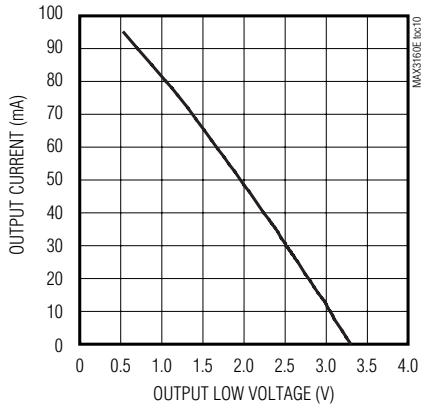
**RS-485/RS-422 OUTPUT CURRENT vs. DRIVER-OUTPUT LOW VOLTAGE**



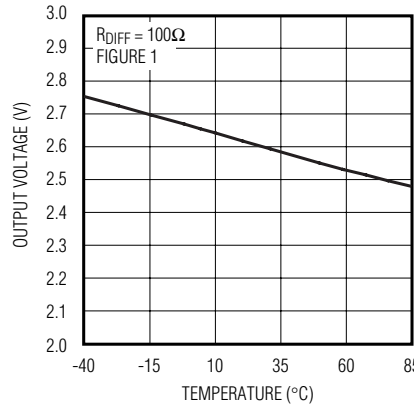
**RS-485/RS-422 OUTPUT CURRENT vs. DRIVER-OUTPUT LOW VOLTAGE**



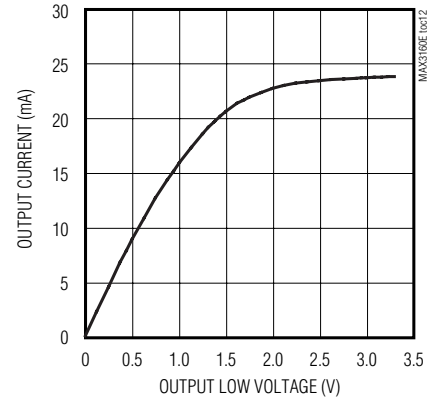
**RS-485/RS-422 DRIVER OUTPUT CURRENT vs. DIFFERENTIAL OUTPUT VOLTAGE**



**RS-485/RS-422 DRIVER DIFFERENTIAL OUTPUT vs. TEMPERATURE**



**RECEIVER OUTPUT CURRENT vs. RECEIVER-OUTPUT LOW VOLTAGE**



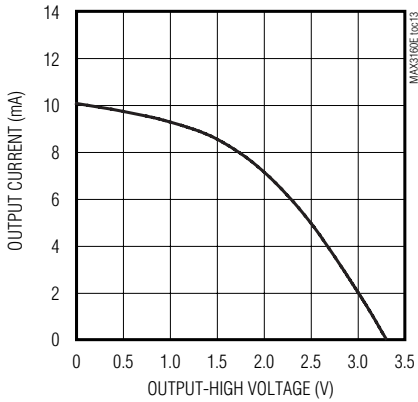
# ±15kV ESD-Protected, +3.0V to +5.5V, 10nA, RS-232/RS-485/RS-422 Multiprotocol Transceivers

## Typical Operating Characteristics (continued)

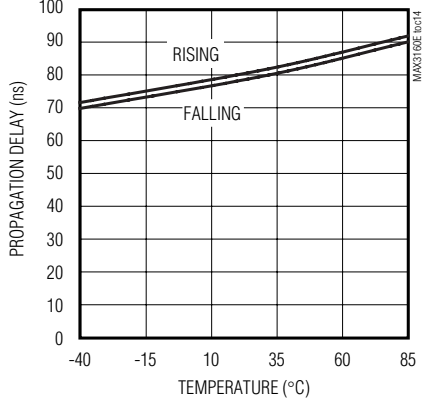
( $V_{CC} = +3.3V$ , 250kbps data rate,  $C_{BYPASS}$ , C1, C2, C3, C4 = 0.1 $\mu F$ , all RS-232 transmitters (RS-232 mode) loaded with 3k $\Omega$  to ground,  $T_A = +25^\circ C$ , unless otherwise noted.)

MAX3160E/MAX3161E/MAX3162E

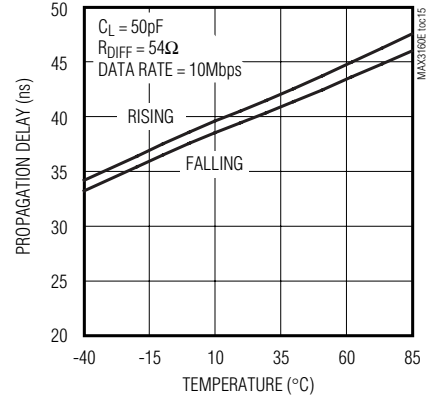
**RECEIVER OUTPUT CURRENT vs. RECEIVER-OUTPUT HIGH VOLTAGE**



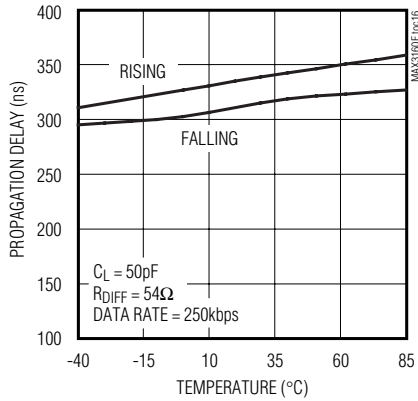
**RS-485/RS-422 RECEIVER PROPAGATION DELAY vs. TEMPERATURE**



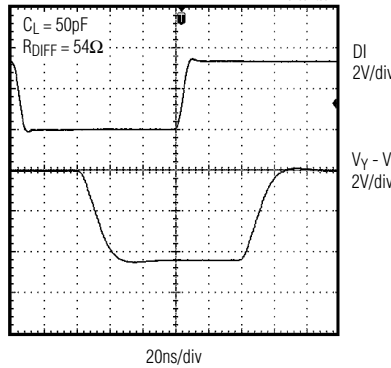
**RS-485/RS-422 DRIVER PROPAGATION DELAY vs. TEMPERATURE (FAST =  $V_{CC}$ )**



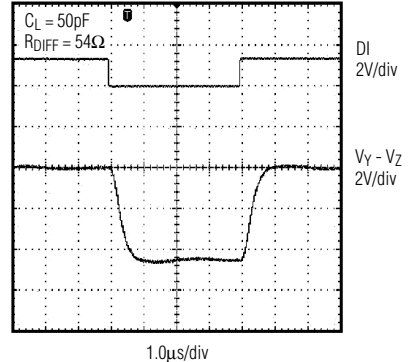
**RS-485/RS-422 DRIVER PROPAGATION DELAY vs. TEMPERATURE (FAST = GND)**



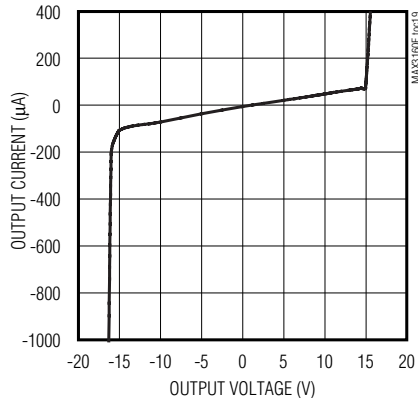
**RS-485/RS-422 DRIVER PROPAGATION (FAST =  $V_{CC}$ , 10Mbps)**



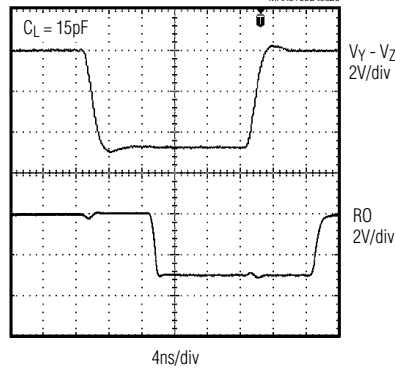
**RS-485/RS-422 DRIVER PROPAGATION (FAST = GND, 250kbps)**



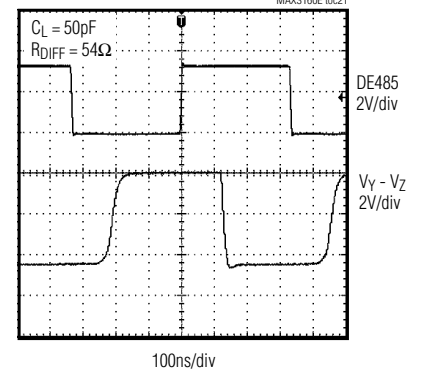
**I-V OUTPUT IMPEDANCE CURVE IN RS-232 SHUTDOWN MODE**



**RS-485/RS-422 RECEIVER PROPAGATION (FAST =  $V_{CC}$ , 5Mbps)**



**RS-485/RS-422 RECEIVER PROPAGATION (FAST =  $V_{CC}$ , 5Mbps)**

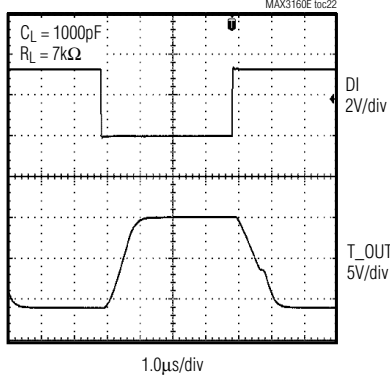


# **$\pm 15\text{kV}$ ESD-Protected, $+3.0\text{V}$ to $+5.5\text{V}$ , $10\text{nA}$ , RS-232/RS-485/RS-422 Multiprotocol Transceivers**

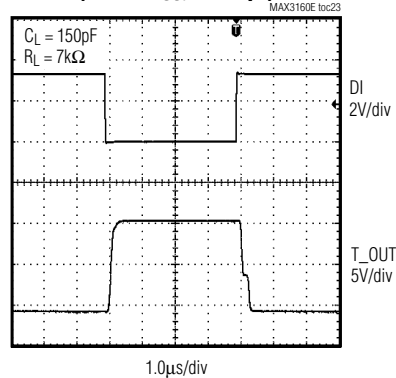
## **Typical Operating Characteristics (continued)**

( $V_{CC} = +3.3\text{V}$ ,  $250\text{kbps}$  data rate,  $C_{\text{BYPASS}}$ ,  $C_1$ ,  $C_2$ ,  $C_3$ ,  $C_4 = 0.1\mu\text{F}$ , all RS-232 transmitters (RS-232 mode) loaded with  $3\text{k}\Omega$  to ground,  $T_A = +25^\circ\text{C}$ , unless otherwise noted.)

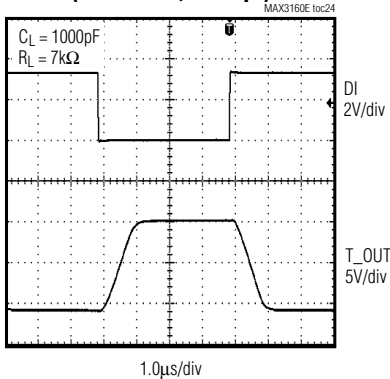
**MAX3160E**  
**RS-232 TRANSMITTER PROPAGATION**  
**(FAST = GND, 250kbps)**



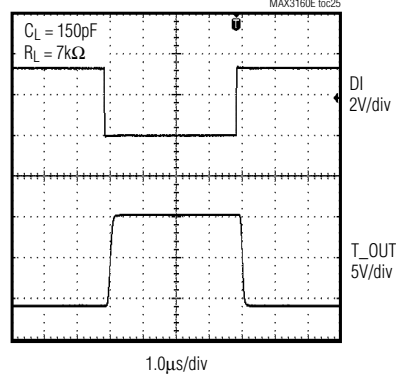
**MAX3160E**  
**RS-232 TRANSMITTER PROPAGATION**  
**(FAST = VCC, 250kbps)**



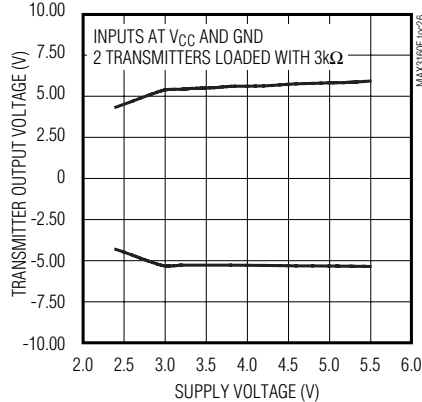
**MAX3161E/MAX3162E**  
**RS-232 TRANSMITTER PROPAGATION**  
**(FAST = GND, 250kbps)**



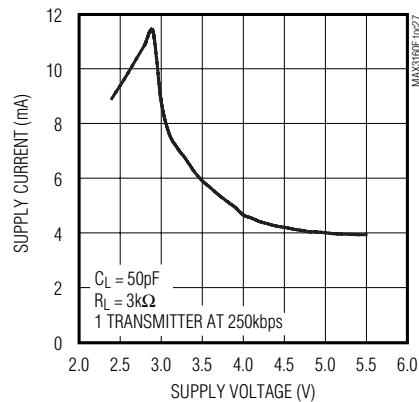
**MAX3161E/MAX3162E**  
**RS-232 TRANSMITTER PROPAGATION**  
**(FAST = VCC, 250kbps)**



**TRANSMITTER OUTPUT VOLTAGE**  
**vs. SUPPLY VOLTAGE (FAST = GND)**



**SUPPLY CURRENT vs. SUPPLY VOLTAGE**  
**WITH RS-232 RUNNING (FAST = GND)**





# **±15kV ESD-Protected, +3.0V to +5.5V, 10nA, RS-232/RS-485/RS-422 Multiprotocol Transceivers**

## **Pin Description**

PIN			NAME	FUNCTION
MAX3160E	MAX3161E	MAX3162E		
1	1	1	C1+	Positive Terminal of the Positive Flying Capacitor
2	2	2	V <sub>CC</sub>	Positive Supply Voltage
3	3	3	C1-	Negative Terminal of the Positive Flying Capacitor
4	4	4	GND	Ground
—	5	5	T1OUT	RS-232 Driver Output
5	—	—	Z(B)/T1OUT	Inverting RS-485/RS-422 Driver Output in Full-Duplex Mode (and Inverting RS-485/RS-422 Receiver Input in Half-Duplex Mode)/RS-232 Driver Output
—	—	6	Z	Inverting RS-485/RS-422 Driver Output
—	6	—	Z(B)	Inverting RS-485/RS-422 Driver Output in Full-Duplex Mode (and Inverting RS-485/RS-422 Receiver Input in Half-Duplex Mode)
6	—	—	Y(A)/T2OUT	Noninverting RS-485/RS-422 Driver Output in Full-Duplex Mode (and Noninverting RS-485/RS-422 Receiver Input in Half-Duplex Mode)/RS-232 Driver Output
—	—	7	Y	Noninverting RS-485/RS-422 Driver Output
—	7	—	Y(A)	Noninverting RS-485/RS-422 Driver Output in Full-Duplex Mode (and Noninverting RS-485/RS-422 Receiver Input in Half-Duplex Mode)
7	9	9	R1OUT	RS-232 Receiver Output
—	8	8	T2OUT	RS-232 Driver Output
8	10	—	RO/R2OUT	RS-485/RS-422 Receiver Output/RS-232 Receiver Output
9	11	13	$\overline{\text{SHDN}}$	Active-Low Shutdown-Control Input. Drive $\overline{\text{SHDN}}$ low to shut down transmitters and charge pump.
—	—	10	R2OUT	RS-232 Driver Output
10	12	14	FAST	Transmitter Speed-Select Input. Select slew-rate limiting for RS-232 and RS-485/RS-422. Slew-rate limits with a logic-level low.
—	—	11	RO	RS-485/RS-422 Receiver Output
11	13	—	RS-485/RS-232	Pin-Selectable Mode Functionality Input. Operates as RS-485/RS-422 with a logic-level high; operates as RS-232 with a logic-level low.
—	—	12	$\overline{\text{RE485}}$	RS-485/RS-422 Receiver Enable Input. Logic-level low enables RS-485/RS-422 receivers.
12	14	—	HDPLX	Pin-Selectable Mode Functionality Input. Operates in full-duplex mode when low; operates in half-duplex mode when high.

**MAX3160E/MAX3161E/MAX3162E**

# **±15kV ESD-Protected, +3.0V to +5.5V, 10nA, RS-232/RS-485/RS-422 Multiprotocol Transceivers**

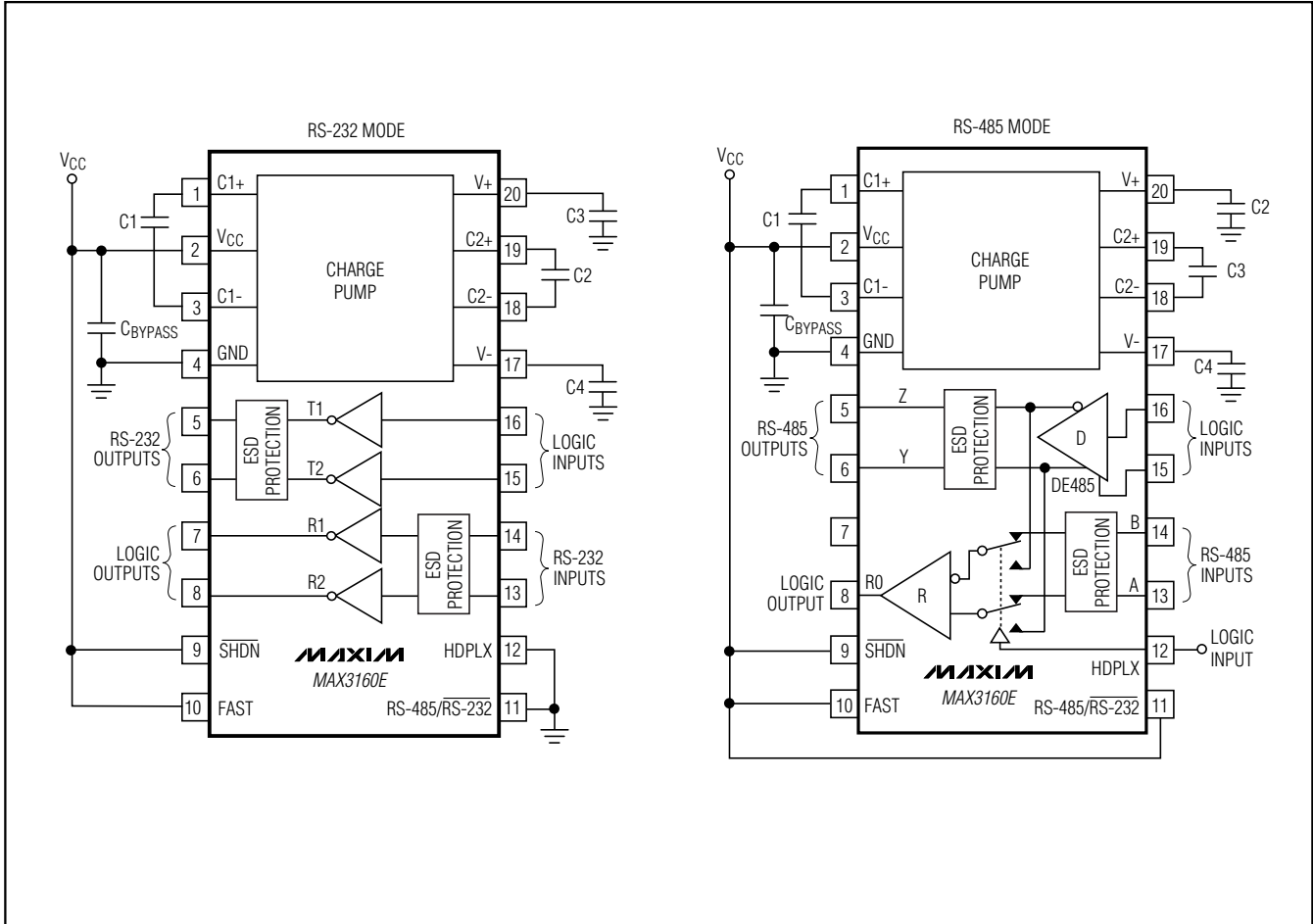
## **Pin Description (continued)**

PIN			NAME	FUNCTION
MAX3160E	MAX3161E	MAX3162E		
13	—	—	A/R2IN	Noninverting RS-485/RS-422 Receiver Input/RS-232 Receiver Input
14	—	—	B/R1IN	Inverting RS-485/RS-422 Receiver Input/RS-232 Receiver Input
—	—	15	$\overline{\text{RE232}}$	RS-232 Receiver Enable. Logic-level low enables RS-232 receivers.
—	15	17	A	Noninverting RS-485/RS-422 Receiver Input
15	19	—	DE485/T2IN	RS-485/RS-422 Driver Enable/RS-232 Driver Input
—	—	16	TE232	RS-232 Transmitter Output Enable
—	16	18	B	Inverting RS-485/RS-422 Receiver Input
16	20	—	DI/T1IN	RS-485/RS-422 Driver Input/RS-232 Driver Input
—	17	19	R2IN	RS-232 Receiver Input
17	21	25	V-	Negative Charge-Pump Rail
—	18	20	R1IN	RS-232 Receiver Input
18	22	26	C2-	Negative Terminal of the Negative Flying Capacitor
19	23	27	C2+	Positive Terminal of the Negative Flying Capacitor
20	24	28	V+	Positive Charge-Pump Rail
—	—	21	T2IN	RS-232 Driver Input
—	—	22	DE485	RS-485/RS-422 Driver Enable Input
—	—	23	DI	RS-485/RS-422 Driver Input
—	—	24	T1IN	RS-232 Driver Input

**MAX3160E/MAX3161E/MAX3162E**

# ±15kV ESD-Protected, +3.0V to +5.5V, 10nA, RS-232/RS-485/RS-422 Multiprotocol Transceivers

## MAX3160E Functional Diagram

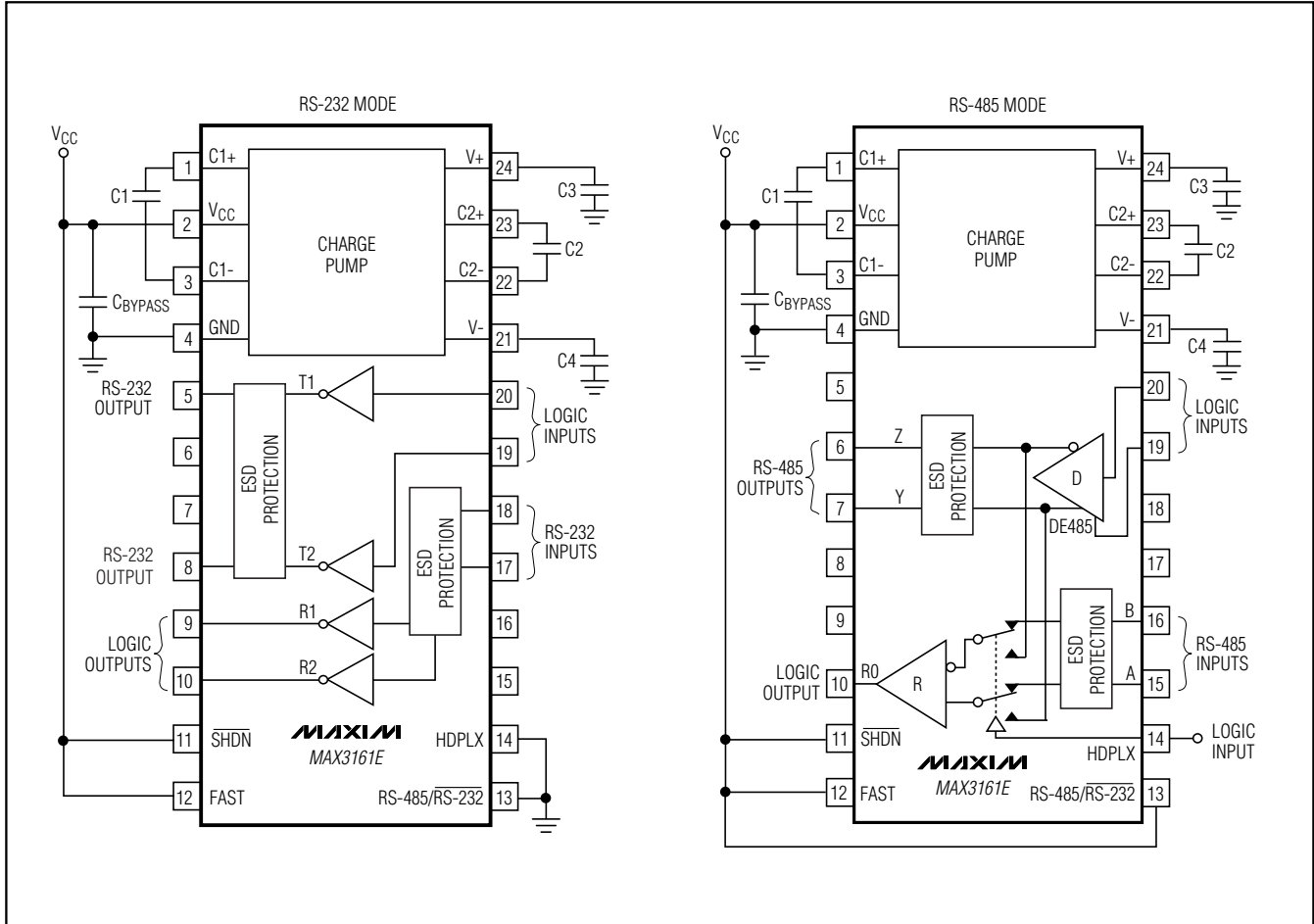


MAX3160E/MAX3161E/MAX3162E

# ±15kV ESD-Protected, +3.0V to +5.5V, 10nA, RS-232/RS-485/RS-422 Multiprotocol Transceivers

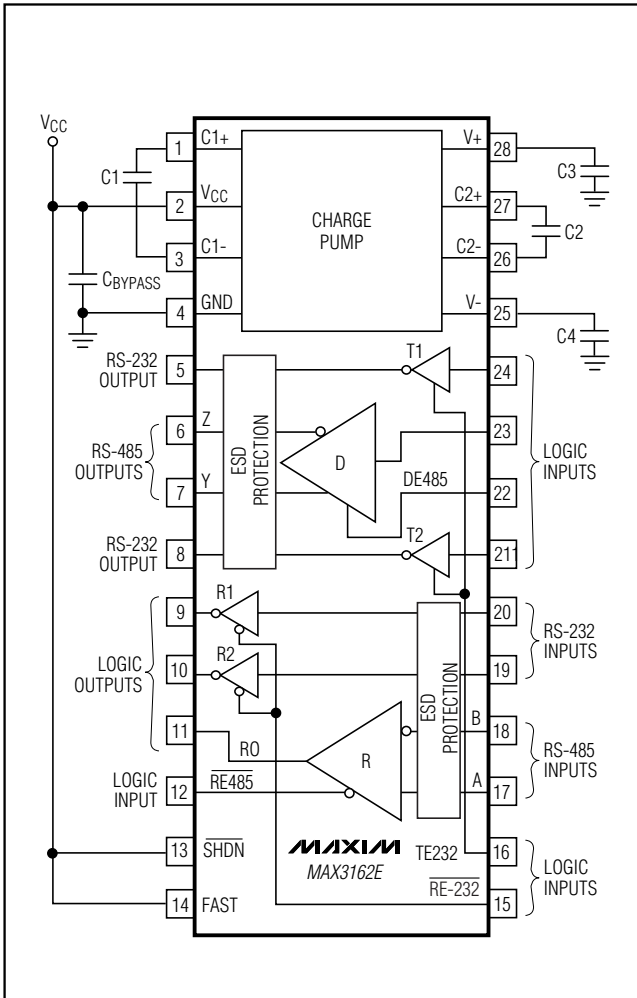
## MAX3161E Functional Diagram

MAX3160E/MAX3161E/MAX3162E



# ±15kV ESD-Protected, +3.0V to +5.5V, 10nA, RS-232/RS-485/RS-422 Multiprotocol Transceivers

## MAX3162E Functional Diagram



## Test Circuits

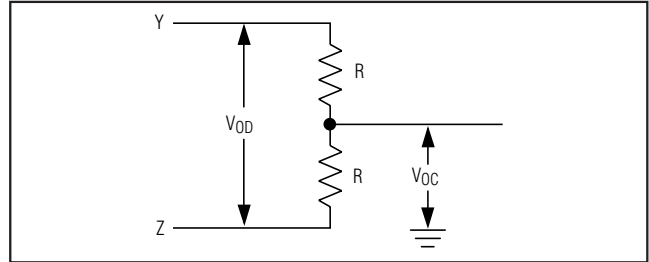


Figure 1. RS-485/RS-422 Driver DC Test Load

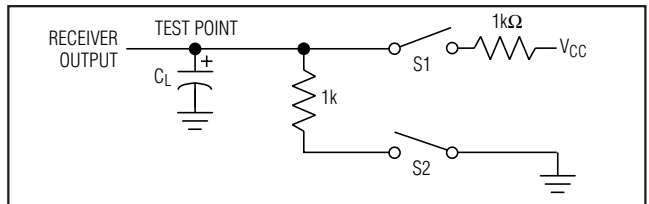


Figure 2. RS-485/RS-422 and RS-232 Receiver Enable/Disable Timing Test Load

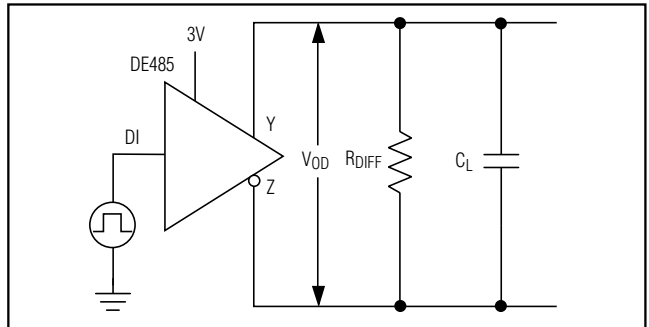


Figure 3. RS-485/RS-422 Driver Timing Test Circuit

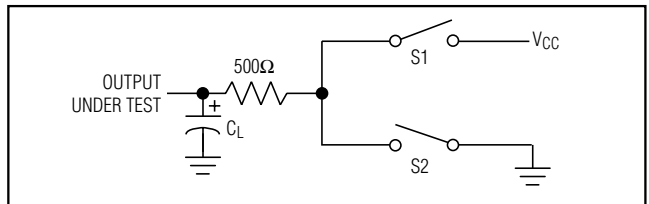


Figure 4. RS-485/RS-422 Driver Enable/Disable Timing Test Load

MAX3160E/MAX3161E/MAX3162E

# ±15kV ESD-Protected, +3.0V to +5.5V, 10nA, RS-232/RS-485/RS-422 Multiprotocol Transceivers

## Test Circuits (continued)

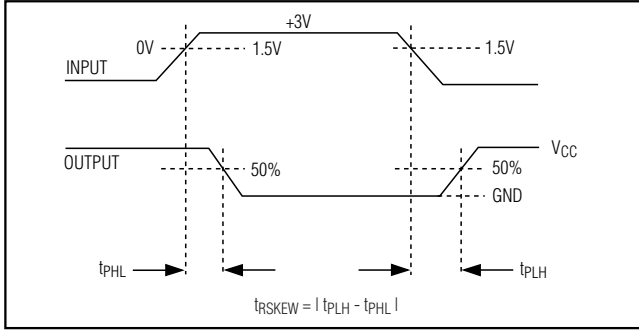


Figure 5. RS-232 Receiver Propagation-Delay Timing

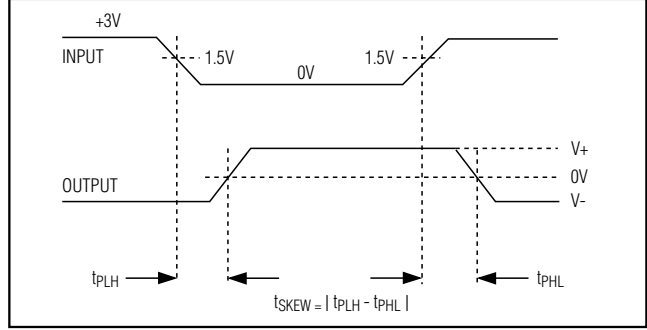


Figure 6. RS-232 Transmitter Propagation-delay Timing

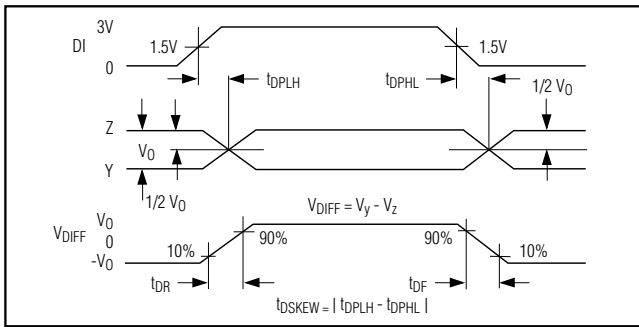


Figure 7. RS-485/RS-422 Driver Propagation Delays

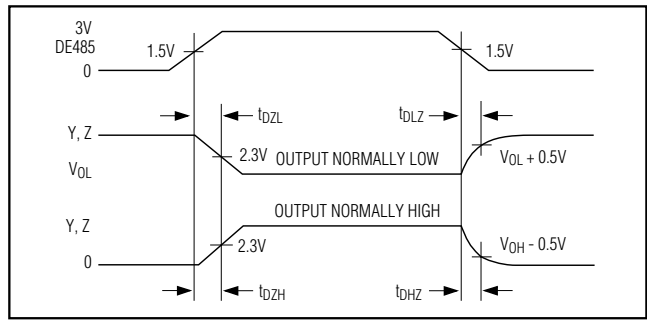


Figure 8. RS-485/RS-422 Driver Enable and Disable Times

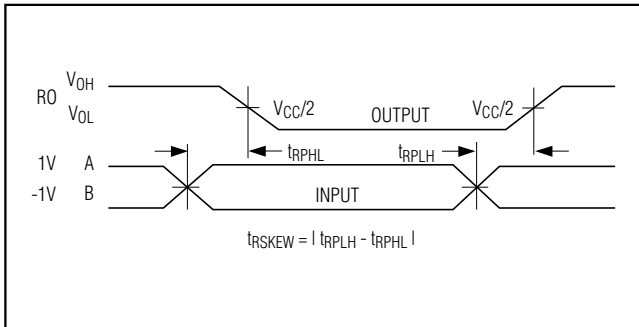


Figure 9. RS-485/RS-422 Receiver Propagation Delays

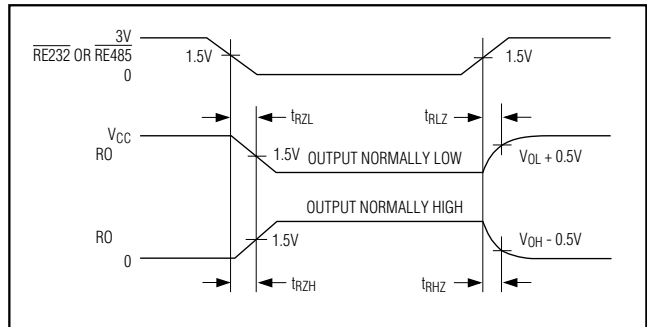


Figure 10. MAX3162 RS-485/RS-422 and RS-232 Receiver Enable and Disable Times

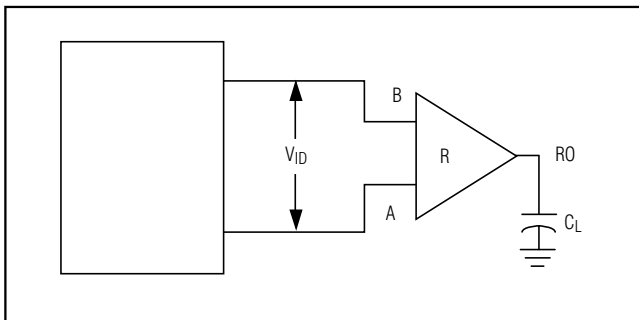


Figure 11. RS-485/RS-422 Receiver Propagation Delays Test Circuit

# **±15kV ESD-Protected, +3.0V to +5.5V, 10nA, RS-232/RS-485/RS-422 Multiprotocol Transceivers**

**MAX3160E/MAX3161E/MAX3162E**

## **Detailed Description**

The MAX3160E/MAX3161E/MAX3162E +3V to +5.5V, multiprotocol transceivers can be pin-configured in a number of RS-232 and RS-485/RS-422 interface combinations. These circuit configurations are ideal for the design of RS-232 to RS-485 converters, multiprotocol buses, or any application that requires both RS-232 and RS-485 transceivers. The slew rate of these devices is on-the-fly pin selectable, allowing reduced EMI data rates, or up to 10Mbps RS-485 communications. Power consumption can be reduced to 10nA by using the shutdown function, but the RS-232 receivers remain active allowing other devices to query the interface controller. A flow-through pinout and the space-saving SSOP packages (available in commercial and extended temperature ranges) facilitate board layout.

### **Device Selection**

The MAX3160E/MAX3161E/MAX3162E contain RS-232 transceivers and an RS-485/RS-422 transceiver. The primary difference between the devices is the multiplexing of the I/O ports.

The MAX3160E has common transmitter outputs and receiver inputs for its RS-232 and RS-485/RS-422 transceivers, and common digital I/O ports. The MAX3160E is optimized for multiprotocol operation on a single interface bus and comes in a 20-pin SSOP package.

The MAX3161E has separate transmitter outputs and receiver inputs for its RS-232 and RS-485/RS-422 transceivers, and common digital I/O ports. The MAX3161E is optimized for multiplexing a single UART across two interface buses and is available in a 24-pin SSOP package.

The MAX3162E has separate transmitter outputs and receiver inputs for its RS-232 and RS-485/RS-422 transceivers, and separate digital I/O ports. The MAX3162E is optimized for protocol translation between two interface buses and comes in a 28-pin SSOP package.

See Tables 1–12, the *Functional Diagrams*, and the following descriptions for details on each device.

### **MAX3160E**

The MAX3160E is a 2Tx/2Rx RS-232 transceiver in RS-232 mode, capable of RS-232-compliant communication. Assertion of RS-485/RS-232 converts the device to a single RS-485 transceiver by multiplexing the RS-232 I/O ports to an RS-485 driver and receiver pair. The logic inputs now control the driver input and the driver enable. One logic output carries the RS-485 receiver output, and the other is tri-stated. The receiver input impedance is dependent on the device mode and is 1/4-unit load for RS-485 operation and 5kΩ for RS-232 operation.

### **MAX3161E**

The MAX3161E is a 2Tx/2Rx RS-232 transceiver in RS-232 mode or a single RS-485/RS-422 transceiver in RS-485 mode. When in RS-485 mode, the unused RS-232 transmitter and receiver outputs are disabled. When in RS-232 mode, the RS-485 transmitter outputs are disabled and the RS-232 receiver inputs are 5kΩ to GND. The RS-485 receiver inputs are always 1/8-unit load. Logic lines are shared between the two protocols and are used for signal inputs and as an RS-485 driver enable.

### **MAX3162E**

The MAX3162E is a 2Tx/2Rx RS-232 transceiver and a single RS-485/RS-422 transceiver simultaneously. All drivers, receivers, and transmitters can be enabled or disabled by pin selection. All outputs are high-impedance when not activated. RS-232 receiver inputs are 5kΩ when enabled, and RS-485 receiver inputs are 1/8-unit load.

### **Fast-Mode Operation**

The FAST control input is used to select the slew-rate limiting of the RS-232 transmitters and the RS-485/RS-422 drivers. With FAST unasserted, the RS-232 transmitters and the RS-485/RS-422 driver are slew-rate limited to reduce EMI. RS-232 data rates up to 1Mbps and RS-485/RS-422 data rates up to 10Mbps are possible when FAST is asserted. FAST can be changed during operation without interrupting data communications.

### **Half-Duplex RS-485/RS-422 Operation**

Asserting HDPLX places the MAX3160E/MAX3161E in half-duplex mode. The RS-485 receiver inputs are internally connected to the driver outputs. To receive RS-485 data, disable the RS-485 outputs by driving DE485 low. HDPLX has no effect on RS-232 operation.

### **Low-Power Shutdown**

The MAX3160E/MAX3161E/MAX3162E have an active-low shutdown control input,  $\overline{\text{SHDN}}$ . When  $\overline{\text{SHDN}}$  is driven low, the charge pump and transmitters are shut down and supply current is reduced to 10nA. The RS-232 receiver outputs remain active if in RS-232 mode. The charge-pump capacitors must be recharged when coming out of shutdown before resuming operation in either RS-232 or RS-485/RS-422 mode (Figure 12).

### **Dual Charge-Pump Voltage Converter**

The MAX3160E/MAX3161E/MAX3162E's internal power supply consists of a regulated dual charge pump that provides output voltages of +5.5V (doubling charge pump), and -5.5V (inverting charge pump), for input voltages ( $V_{\text{CC}}$ ) over the +3.0V to +5.5V range. The charge pumps operate in a discontinuous mode. If the

## **$\pm 15\text{kV}$ ESD-Protected, $+3.0\text{V}$ to $+5.5\text{V}$ , $10\text{nA}$ , RS-232/RS-485/RS-422 Multiprotocol Transceivers**

magnitude of either output voltage is less than  $+5.5\text{V}$ , the charge pumps are enabled. If the magnitude of both output voltages exceeds  $+5.5\text{V}$ , the charge pumps are disabled. Each charge pump requires a flying capacitor (C1, C2) and a reservoir capacitor (C3, C4) to generate the  $V+$  and  $V-$  supplies (see the *Functional Diagrams*).

### **RS-485/RS-422 Transceivers**

The MAX3160E/MAX3161E/MAX3162E RS-485/RS-422 transceivers feature fail-safe circuitry that guarantees a logic-high receiver output when the receiver inputs are open or shorted, or when they are connected to a terminated transmission line with all drivers disabled (see the *Fail-Safe* Section). The MAX3160E/MAX3161E/MAX3162E also feature pin-selectable reduced slew-rate drivers that minimize EMI and reduce reflections caused by improperly terminated cables, allowing error-free data transmission up to  $250\text{kbps}$ . The transmitters can operate at speeds up to  $10\text{Mbps}$  with the slew-rate limiting disabled. Drivers are short-circuit current limited and thermally limited to protect them against excessive power dissipation. Half-duplex communication is enabled by driving HDPLX high (MAX3160E/MAX3161E.)

### **Fail-Safe**

The MAX3160E/MAX3161E/MAX3162E guarantee a logic-high RS-485 receiver output when the receiver inputs are shorted or open, or when they are connected to a terminated transmission line with all drivers disabled. This is done by having the receiver threshold between  $-50\text{mV}$  and  $-200\text{mV}$ . If the differential receiver input voltage (A-B) is greater than or equal to  $-50\text{mV}$ , RO is logic-high. If A-B is less than or equal to  $-200\text{mV}$ , RO is logic-low. In the case of a terminated bus with all transmitters disabled, the receiver's differential input voltage is pulled to 0 by the termination. This results in a logic-high with a  $50\text{mV}$  minimum noise margin.

### **RS-232 Transceivers**

The MAX3160E/MAX3161E/MAX3162E RS-232 transmitters are inverting-level translators that convert CMOS-logic levels to  $\pm 5\text{V}$  EIA/TIA-232-compliant levels. The transmitters are guaranteed at a  $250\text{kbps}$  data rate in slew-rate limited mode (FAST = GND) with worst-case loads of  $3\text{k}\Omega$  in parallel with  $1000\text{pF}$ . Data rates up to  $1\text{Mbps}$  can be achieved by asserting FAST. When powered down or in shutdown, the MAX3160E/MAX3161E/MAX3162E outputs are high impedance and can be driven to  $\pm 13.2\text{V}$ . The transmitter inputs do not have pullup resistors. Connect unused inputs to ground or  $V_{CC}$ .

The receivers convert RS-232 signals to CMOS-logic output levels. All receivers have inverting outputs that remain active in shutdown. The MAX3160E/MAX3161E/MAX3162E permit their receiver inputs to be driven to  $\pm 25\text{V}$ . Floating receiver input signals are pulled to ground through internal  $5\text{k}\Omega$  resistors, forcing the outputs to a logic-high. The MAX3162E has transmitter and receiver enable pins that allow its outputs to be tri-stated.

### **$\pm 15\text{kV}$ ESD Protection**

As with all Maxim devices, ESD-protection structures are incorporated on all pins to protect against ESD encountered during handling and assembly. The MAX3160E/MAX3161E/MAX3162E receiver inputs and transmitter outputs have extra protection against static electricity found in normal operation. Maxim's engineers developed state-of-the-art structures to protect these pins against  $\pm 15\text{kV}$  ESD, without damage. After an ESD event, the MAX3160E/MAX3161E/MAX3162E continue working without latchup.

The receiver inputs and transmitter outputs are characterized for  $\pm 15\text{kV}$  ESD protection using the Human Body Model

### **ESD Test Conditions**

ESD performance depends on a number of conditions. Contact Maxim for a reliability report that documents test setup, methodology, and results.

### **Human Body Model**

Figure 13a shows the Human Body Model, and Figure 13b shows the current waveform it generates when discharged into a low impedance. This model consists of a  $100\text{pF}$  capacitor charged to the ESD voltage of interest, which is then discharged into the device through a  $1.5\text{k}\Omega$  resistor.



# ±15kV ESD-Protected, +3.0V to +5.5V, 10nA, RS-232/RS-485/RS-422 Multiprotocol Transceivers

MAX3160E/MAX3161E/MAX3162E

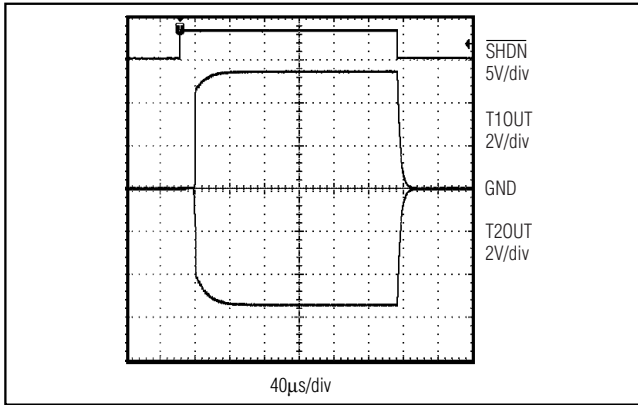


Figure 12. RS-232 Transmitter Outputs when Exiting Shutdown

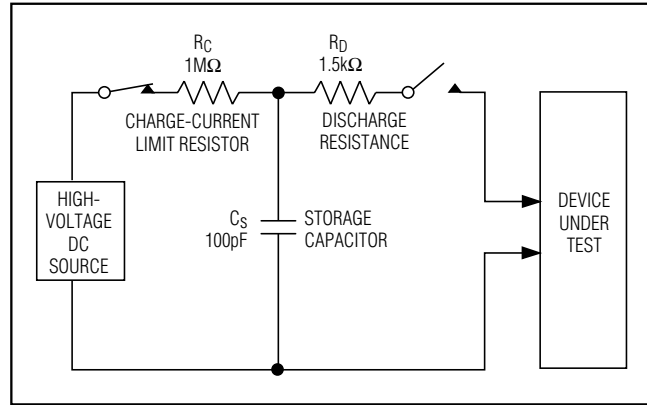


Figure 13a. Human Body ESD Test Model

### Machine Model

The Machine Model for ESD testing uses a 200pF storage capacitor and zero-discharge resistance. It mimics the stress caused by handling during manufacturing and assembly. Of course, all pins (not just RS-485 inputs) require this protection during manufacturing. Therefore, the Machine Model is less relevant to the I/O ports than are the Human Body Model and IEC 1000-4-2.

## Applications Information

### Capacitor Selection

The capacitor type used for C1–C4 is not critical for proper operation; polarized or nonpolarized capacitors can be used. Ceramic chip capacitors with an X7R dielectric provide the best combination of performance, cost, and size. The charge pump requires 0.1µF capacitors for 3.3V operation. For other supply voltages, see Table 13 for required capacitor values. Do not use values smaller than those listed in Table 13. Increasing the capacitor values reduces ripple on the transmitter outputs and slightly reduces power consumption. C2, C3, and C4 can be changed without changing C1's value. **However, do not increase C1 without also increasing the values of C2, C3, C4, and CBYPASS to maintain the proper ratios to the other capacitors.**

When using the minimum required capacitor values, make sure the capacitance value does not degrade excessively with temperature or voltage. This is typical of Y5V and Z5U dielectric ceramic capacitors. If in doubt, use capacitors with a larger nominal value. The capacitor's equivalent series resistance (ESR), which

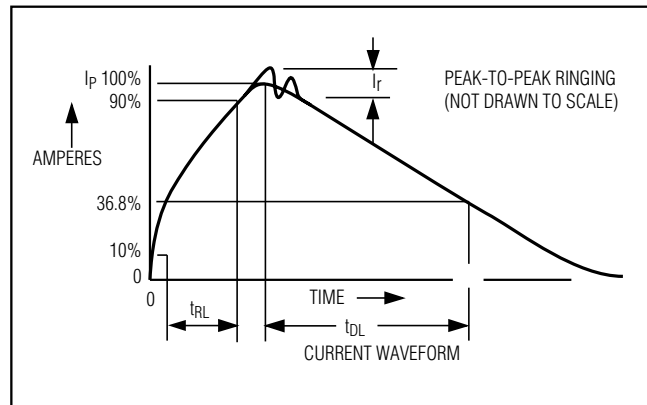


Figure 13b. Human Body Model Current Waveform

usually rises at low temperatures, influences the amount of ripple on V+ and V-.

### Power-Supply Decoupling

In applications that are sensitive to power-supply noise, decouple VCC to ground with a capacitor of the same value as reservoir capacitors C2, C3, and C4. **Connect the bypass capacitor as close to the IC as possible.**

# **$\pm 15\text{kV}$ ESD-Protected, $+3.0\text{V}$ to $+5.5\text{V}$ , $10\text{nA}$ , RS-232/RS-485/RS-422 Multiprotocol Transceivers**

## **RS-232 Transmitter Outputs when Exiting Shutdown**

Figure 12 shows two transmitter outputs when exiting shutdown mode. As they become active, the two transmitter outputs are shown going to opposite RS-232 levels (one transmitter input is high, the other is low). Each transmitter is loaded with  $3\text{k}\Omega$  in parallel with  $1000\text{pF}$ . The transmitter outputs display no ringing or undesirable transients as they come out of shutdown. Note that the transmitters are enabled only when  $V_-$  exceeds approximately  $-3\text{V}$ .

## **High Data Rates**

The MAX3160E/MAX3161E/MAX3162E maintain the RS-232  $\pm 5\text{V}$  required minimum transmitter output voltage even at high data rates. Figure 14 shows a transmitter loopback test circuit. Figure 15 shows a loopback test result at  $250\text{kbps}$ , and Figure 16 shows the same test at  $1\text{Mbps}$ . Figure 15 demonstrates a single slew-rate limited transmitter driven at  $250\text{kbps}$  (FAST = GND) into an RS-232 load in parallel with  $1000\text{pF}$ . Figure 17 shows a single transmitter driven at  $1\text{Mbps}$  (FAST asserted), loaded with an RS-232 receiver in parallel with  $1000\text{pF}$ . These transceivers maintain the RS-232  $\pm 5\text{V}$  minimum transmitter output voltage at data rates up to  $1\text{Mbps}$ .

## **256 Transceivers on the Bus**

The standard RS-485 receiver input impedance is  $12\text{k}\Omega$  (one-unit load), and the standard driver can drive up to 32-unit loads. The MAX3160E has a 1/4-unit load receiver input impedance ( $48\text{k}\Omega$ ), allowing up to 128 transceivers to be connected in parallel on one communication line. The MAX3161E/MAX3162E have a 1/8-unit load receiver input impedance ( $96\text{k}\Omega$ ), allowing up to 256 transceivers to be connected in parallel on one communication line. Any combination of these devices and/or other RS-485 transceivers with a total of 32-unit loads or fewer can be connected to the line.

## **RS-485/RS-422 Driver Output Protection**

Two mechanisms prevent excessive output current and power dissipation caused by faults or by bus contention. The first, a foldback current limit on the output stage, provides immediate protection against short circuits over the whole common-mode voltage range (see the *Typical Operating Characteristics*). The second, a thermal shutdown circuit, forces the driver outputs into a high-impedance state if the die temperature becomes excessive, typically over  $+150^\circ\text{C}$ .

## **Protection Against Wiring Faults**

EIA/TIA-485 standards require a common input voltage range of  $-7\text{V}$  to  $+12\text{V}$  to prevent damage to the device.

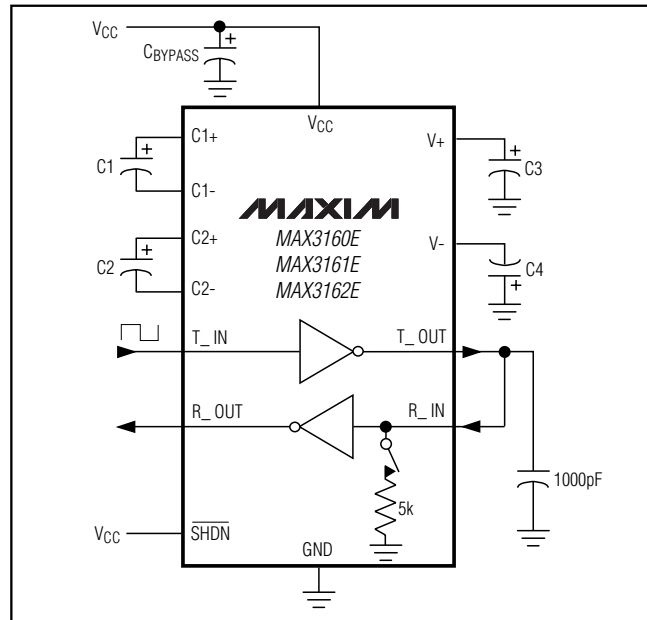


Figure 14. Loopback Test Circuit

The MAX3160E/MAX3161E/MAX3162E inputs are protected to RS-232 levels of  $\pm 25\text{V}$  for the receiver inputs and  $\pm 13\text{V}$  for the transmitter/driver outputs. This provides additional protection for the RS-485 transceivers against ground differential or faults due to miswiring.

## **RS-485/RS-422 Reduced EMI and Reflections**

The MAX3160E/MAX3161E/MAX3162E can be configured for slew-rate limiting by pulling FAST low. This minimizes EMI and reduces reflections caused by improperly terminated cables. Operation in slew-rate limited mode reduces the amplitudes of high-frequency harmonics.

## **RS-485/RS-422 Line Length vs. Data Length**

The RS-485/RS-422 standard covers line lengths up to  $4000\text{ft}$ . For line lengths greater than  $4000\text{ft}$ , use the repeater application shown in Figure 17.

## **RS-232/RS-485 Protocol Translator**

Figure 18 shows the MAX3162E configured as an RS-232/RS-485 protocol translator. The direction of translation is controlled through the RTS signal (R1IN). The single-ended RS-232 receiver input signal is translated to a differential RS-485 transmitter output. Similarly, a differential RS-485 receiver input signal is translated to a single-ended RS-232 transmitter output. RS-232 data received on R2IN is transmitted as an RS-485 signal on Z and Y. RS-485 signals received on A and B are transmitted as an RS-232 signal on T1OUT.

# ±15kV ESD-Protected, +3.0V to +5.5V, 10nA, RS-232/RS-485/RS-422 Multiprotocol Transceivers

MAX3160E/MAX3161E/MAX3162E

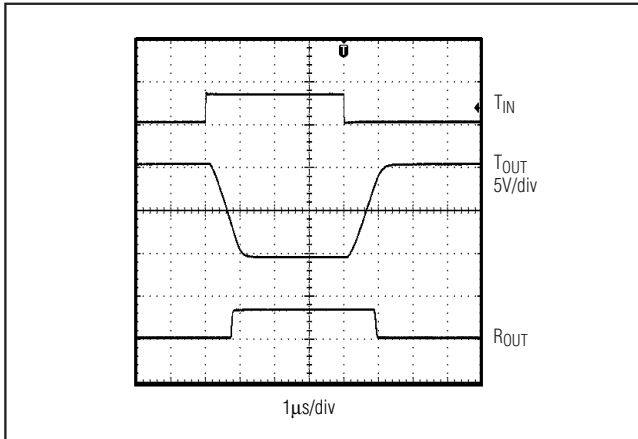


Figure 15. MAX3161E/MAX3162E RS-232 Loopback Test Result at 250kbps, FAST = Low

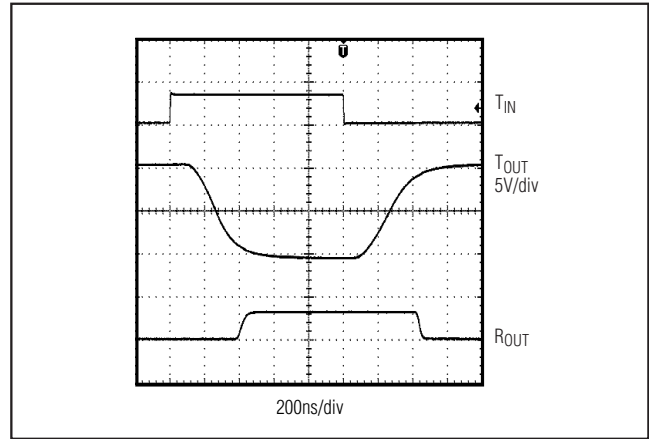


Figure 16. MAX3161E/MAX3162E RS-232 Loopback Test Result at 1Mbps, FAST = High

### Multiprotocol Bus

The *Typical Operating Circuit* shows a standard application for the MAX3160E. The MAX3160E's outputs are multiplexed between RS-232 and RS-485 protocols by a microprocessor ( $\mu$ P). The  $\mu$ P also directs the shut-down functions, enable lines, and the duplex of the MAX3160E. Data is transmitted to the MAX3100 UART through an SPI™ port. The UART asynchronously transfers data through the MAX3160E to the pin-selected RS-232 or RS-485 protocol. See Table 14 for commonly used cable connections.

### Multiprotocol Bus Multiplexer

The *Typical Application Circuit* shows the MAX3161E configured as a multiprotocol bus multiplexer. The MAX3161E separates the RS-232 and RS-485 lines, but shares the logic pins between modes. This application allows the  $\mu$ P to monitor a point-to-point RS-232 bus, and a multidrop RS-485 interface. The MAX3100 UART asynchronously transfers data through the MAX3161E to the pin-selected RS-232 or RS-485 protocol.

SPI is a registered trademark of Motorola, Inc.

# ±15kV ESD-Protected, +3.0V to +5.5V, 10nA, RS-232/RS-485/RS-422 Multiprotocol Transceivers

**MAX3160E/MAX3161E/MAX3162E**

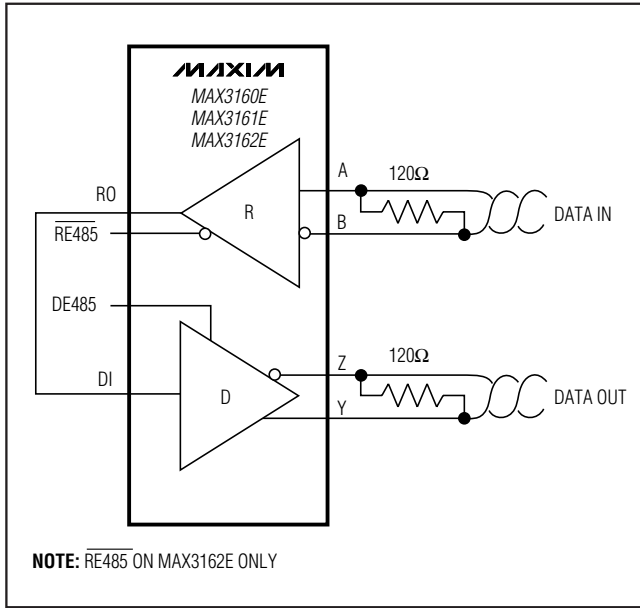


Figure 17. RS-485 Line Repeater

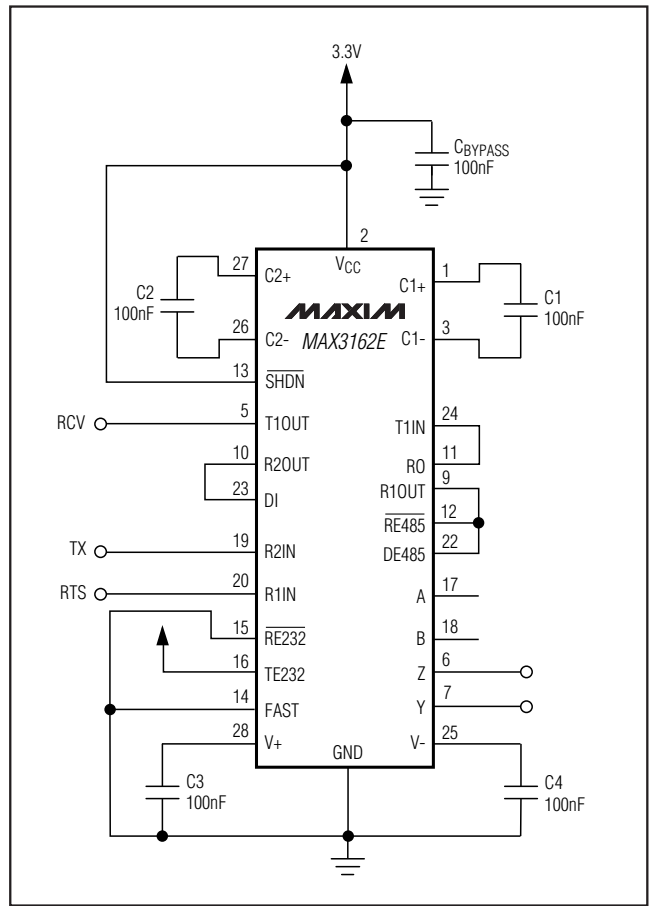


Figure 18. Protocol Translator

# ±15kV ESD-Protected, +3.0V to +5.5V, 10nA, RS-232/RS-485/RS-422 Multiprotocol Transceivers

**MAX3160E/MAX3161E/MAX3162E**

## RS-232 Transmitters Truth Tables

**Table 1. MAX3160E**

INPUTS			OUTPUTS
SHDN	RS-485/ RS-232	DI/T1IN, DE485/T2IN	Z(B)/T1OUT, Y(A)/T2OUT
0	X	X	1/8-unit load
1	0	0	1
1	0	1	0
1	1	X	RS-485 mode

**Table 2. MAX3161E**

INPUTS			OUTPUTS
SHDN	RS-485/ RS-232	DI/T1IN, DE485/T2IN	T1OUT, T2OUT
0	X	X	High-impedance
1	0	0	1
1	0	1	0
1	1	X	High-impedance

**Table 3. MAX3162E**

INPUTS			OUTPUTS
SHDN	TE232	T1IN, T2IN	T1OUT, T2OUT
0	X	X	High-impedance
X	0	X	High-impedance
1	1	0	1
1	1	1	0

## RS-232 Receivers Truth Tables

**Table 4. MAX3160E**

INPUTS			OUTPUTS
SHDN	RS-485/ RS-232	B/R1IN, A/R2IN	R1OUT, RO/R2OUT
X	0	0	1
X	0	1	0
X	0	Inputs open	1
X	1	X	R1OUT High-impedance, RO/R2OUT in RS-485 mode

**Table 5. MAX3161E**

INPUTS			OUTPUTS
SHDN	RS-485/ RS-232	R1IN, R2IN	R1OUT, RO/R2OUT
X	0	0	1
X	0	1	0
X	0	Inputs open	1
X	1	X	R1OUT High-impedance, RO/R2OUT in RS-485 mode

**Table 6. MAX3162E**

INPUTS			OUTPUTS
SHDN	RE232	R1IN, R2IN	R1OUT, R2OUT
X	1	X	High-impedance
X	0	0	1
X	0	1	0
X	0	Inputs open	1

# ±15kV ESD-Protected, +3.0V to +5.5V, 10nA, RS-232/RS-485/RS-422 Multiprotocol Transceivers

## RS-485/RS-422 Drivers Truth Tables

Table 7. MAX3160E

INPUTS				OUTPUTS	
SHDN	RS-485/RS-232	DE485/T2IN	DI/T1IN	Z(B)/T1OUT	Y(A)/T2OUT
0	X	X	X	1/8-unit load	1/8-unit load
1	1	0	X	1/8-unit load	1/8-unit load
1	1	1	0	1	0
1	1	1	1	0	1
X	0	X	X	RS-232 mode	

Table 8. MAX3161E

INPUTS				OUTPUTS	
SHDN	RS-485/RS-232	DE485/T2IN	DI/T1IN	Z(B)	Y(A)
0	X	X	X	1/8-unit load	1/8-unit load
X	0	X	X	1/8-unit load	1/8-unit load
X	X	0	X	1/8-unit load	1/8-unit load
1	1	1	0	1	0
1	1	1	1	0	1

Table 9. MAX3162E

INPUTS			OUTPUTS	
SHDN	DE485	DI	Z	Y
0	X	X	High-impedance	High-impedance
X	0	X	High-impedance	High-impedance
1	1	0	1	0
1	1	1	0	1

## RS-485/RS-422 Receivers Truth Tables

Table 10. MAX3160E

INPUTS					OUTPUT
RS-485/RS-232	SHDN	HDPLX	(A - B)*	(Y - Z)*	RO/R2OUT
1	0	X	X	X	High-impedance up to V <sub>CC</sub>
1	1	0	≥-50mV	X	1
1	1	0	≤-200mV	X	0
1	1	0	Floating	X	1
1	1	1	X	≥-50mV	1
1	1	1	X	≤-200mV	0
1	1	1	X	Floating	1
0	X	X	X	X	RS-232 mode

\*Y and Z correspond to pins Y(A)/T2OUT and Z(B)/T1OUT. A and B correspond to pins A/R2IN and B/R1IN.

# ±15kV ESD-Protected, +3.0V to +5.5V, 10nA, RS-232/RS-485/RS-422 Multiprotocol Transceivers

## RS-485/RS-422 Receivers Truth Tables (continued)

Table 11. MAX3161E

RS-485/RS-232	INPUTS				OUTPUT
	SHDN	HDPLX	A - B	Y(A) - Z(B)	RO/R2OUT
1	0	X	X	X	High-impedance up to V <sub>CC</sub>
1	1	0	≥-50mV	X	1
1	1	0	≤-200mV	X	0
1	1	0	Floating	X	1
1	1	1	X	≥-50mV	1
1	1	1	X	≤-200mV	0
1	1	1	X	Floating	1
0	X	X	X	X	RS-232 mode

Table 12. MAX3162E

INPUTS			OUTPUT
SHDN	RE485	A - B	RO
0	X	X	High-impedance
X	1	X	High-impedance
1	0	≥-50mV	1
1	0	≤-200mV	0
1	0	Inputs	1

Table 13. Required Minimum Capacitance Values

SUPPLY VOLTAGE (V)	C1 (μF)	C2, C3, C4, C <sub>BYPASS</sub> (μF)
+3.0 to +3.6	0.1	0.1
+4.5 to +5.5	0.047	0.33
+3.0 to +5.5	0.1	0.47

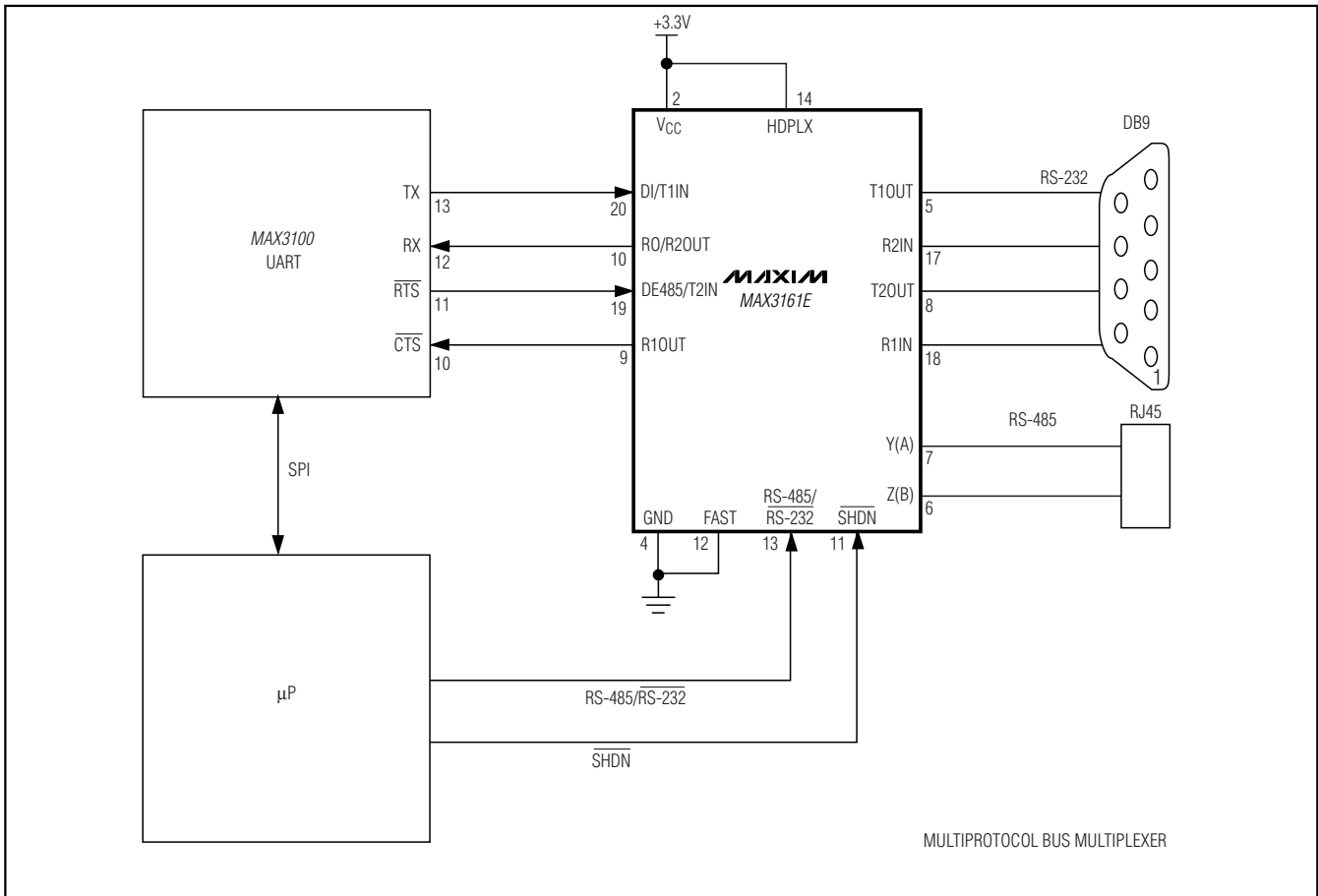
MAX3160E/MAX3161E/MAX3162E

# **±15kV ESD-Protected, +3.0V to +5.5V, 10nA, RS-232/RS-485/RS-422 Multiprotocol Transceivers**

**Table 14. Cable Connections Commonly Used for EIA/TIA-232 and V.24 Asynchronous Interfaces**

EIA/TIA-232 STANDARD	CONNECTOR PIN	MAX3160E MAX3161E MAX3162E EQUIVALENT	PIN NUMBER			FUNCTION (AS SEEN BY DTE)
			MAX3160E	MAX3161E	MAX3162E	
DCD	1	—	—	—	—	Data carrier detect
RD	2	R2IN	13	17	19	Received data
TD	3	T1OUT	5	5	5	Transmitted data
DTR	4	—	—	—	—	Data terminal ready
SG	5	GND	4	4	4	Signal ground
DSR	6	—	—	—	—	Data set ready
RTS	7	T2OUT	6	8	8	Request to send (= DTE ready)
CTS	8	R1IN	14	18	20	Clear to send (= DCE ready)
RI	9	—	—	—	—	Ring indicator

## **Typical Application Circuit**

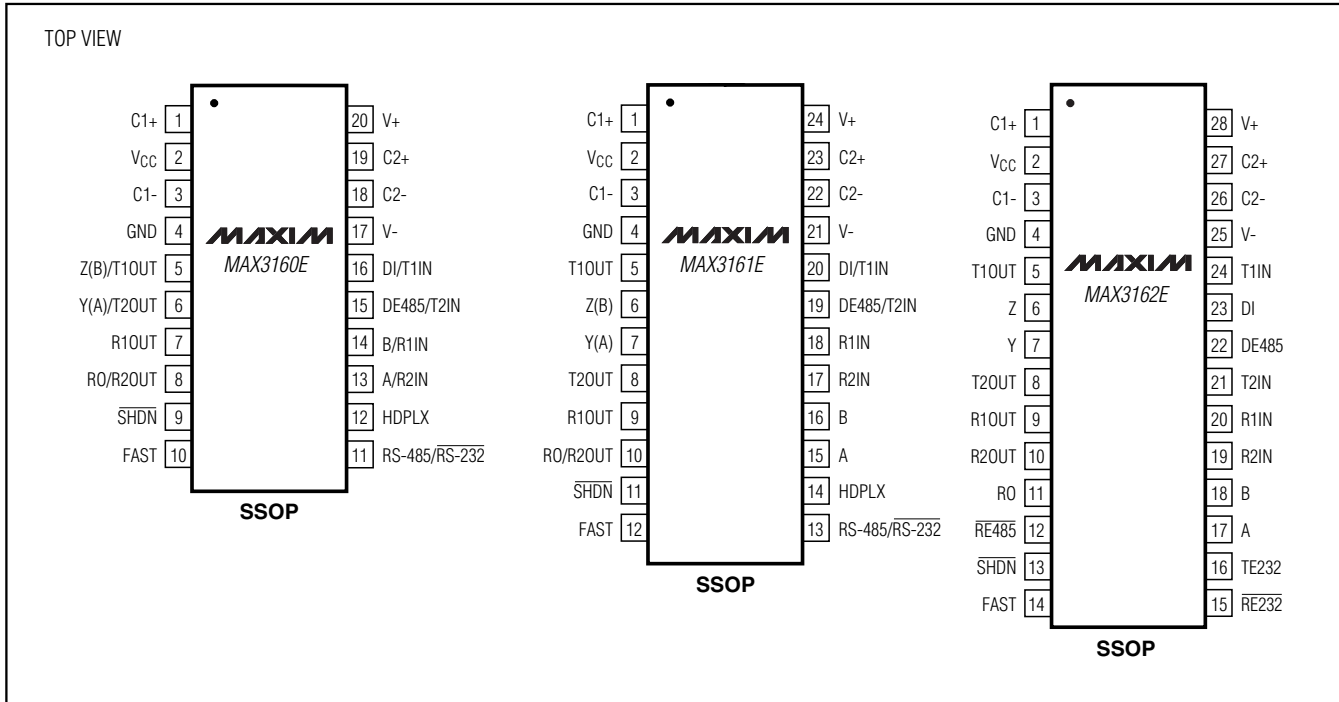




# ±15kV ESD-Protected, +3.0V to +5.5V, 10nA, RS-232/RS-485/RS-422 Multiprotocol Transceivers

## Pin Configurations

**MAX3160E/MAX3161E/MAX3162E**



### Selector Guide

PART	DUAL MODE	FLOW-THROUGH PINOUT	RS-485 INPUT UNIT LOADS
MAX3160E	No	Yes	1/4
MAX3161E	No	No	1/8
MAX3162E	Yes	Yes	1/8

### Chip Information

TRANSISTOR COUNT: 1805  
PROCESS: CMOS

# **±15kV ESD-Protected, +3.0V to +5.5V, 10nA, RS-232/RS-485/RS-422 Multiprotocol Transceivers**

## **Package Information**

DIM	INCHES		MILLIMETERS	
	MIN	MAX	MIN	MAX
A	0.068	0.078	1.73	1.99
A1	0.002	0.008	0.05	0.21
B	0.010	0.015	0.25	0.38
C	0.004	0.008	0.09	0.20
D	SEE VARIATIONS			
E	0.205	0.212	5.20	5.38
e	0.0256 BSC		0.65 BSC	
H	0.301	0.311	7.65	7.90
L	0.025	0.037	0.63	0.95
$\alpha$	0°	8°	0°	8°

D	INCHES		MILLIMETERS		N
	MIN	MAX	MIN	MAX	
D	0.239	0.249	6.07	6.33	14L
D	0.239	0.249	6.07	6.33	16L
D	0.278	0.289	7.07	7.33	20L
D	0.317	0.328	8.07	8.33	24L
D	0.397	0.407	10.07	10.33	28L

**NOTES:**

1. D&E DO NOT INCLUDE MOLD FLASH.
2. MOLD FLASH OR PROTRUSIONS NOT TO EXCEED .15 MM (.006").
3. CONTROLLING DIMENSION: MILLIMETERS.
4. MEETS JEDEC MO150.
5. LEADS TO BE COPLANAR WITHIN 0.10 MM.

**DALLAS SEMICONDUCTOR** **MAXIM**

PROPRIETARY INFORMATION

TITLE: PACKAGE OUTLINE, SSOP, 5.3 MM

APPROVAL: \_\_\_\_\_ DOCUMENT CONTROL NO. 21-0056 REV. C 1/1

SSOPERS

Maxim cannot assume responsibility for use of any circuitry other than circuitry entirely embodied in a Maxim product. No circuit patent licenses are implied. Maxim reserves the right to change the circuitry and specifications without notice at any time.

26 **Maxim Integrated Products, 120 San Gabriel Drive, Sunnyvale, CA 94086 408-737-7600**